

Single Rail 8-Port DVI Full HD LCD KVM Switch

CL6708MW

The CL6708MW brings additional versatility to ATEN's line of LCD KVM Switches with its native DVI compatibility. Building on ATEN's renowned, space-saving approach to KVM switches – integrating an LCD panel, full keyboard, and touchpad into a streamlined, 1U housing – the CL6708MW is a highly-scalable LCD KVM switch which features the ability to control up to 64 computers by cascading 8 additional CS1768 8-port KVM switches.

Featuring an integrated 17.3" LED-backlit LCD panel capable of Full HD 1080p video – greater clarity than typical analog interfaces, the CL6708MW incorporates the YUV video format for greater compatibility with high-definition signals (e.g. NVR sources). Similarly, the CL6708MW is High-Bandwidth Digital Content Protection (HDCP) compatible, making it well-suited for use with content-protected media in corporate, educational, and commercial settings.

To further enhance usability, ATEN's LED illumination light is included to ensure keyboard and touchpad visibility in low-light conditions.

Front View

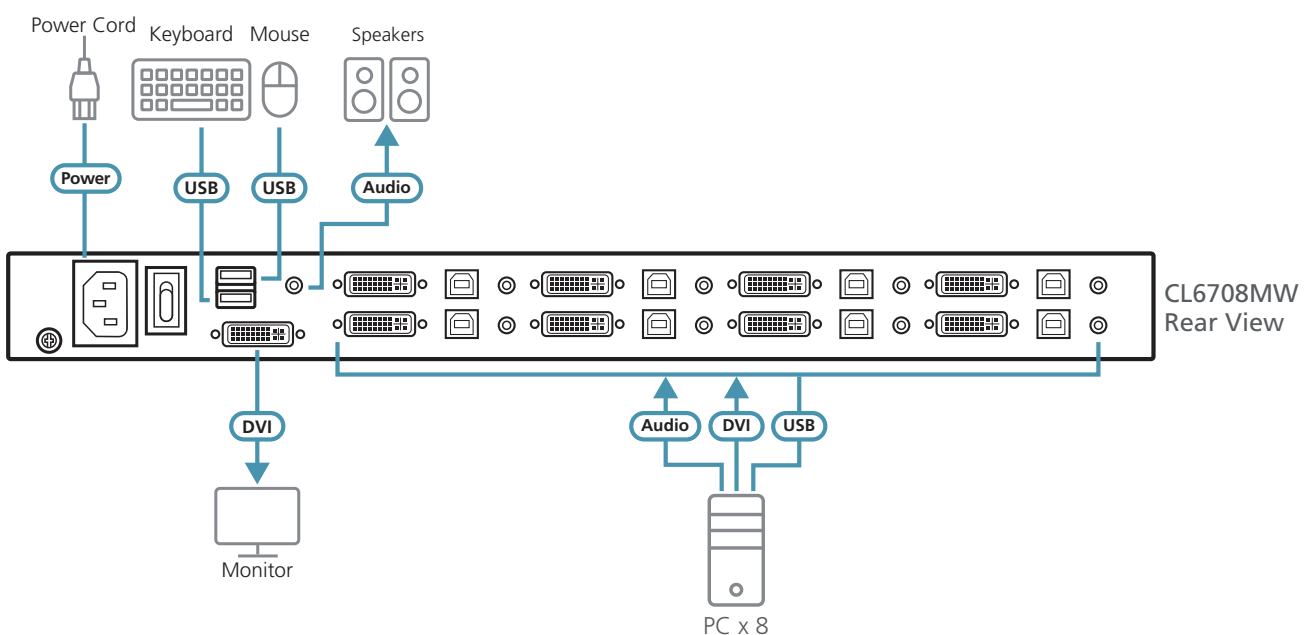


Rear View



Features

- Integrated KVM with a 17.3" widescreen DVI Full HD LCD monitor
 - Single rail, sliding housing with top and bottom clearance for smooth operation with a 1U rack
 - Controls 8 Single Link DVI computers
 - Supports an external console with DVI video port
 - Exclusive LED illumination light - designed by ATEN to illuminate the keyboard and touchpad to allow visibility in low-light conditions
 - Additional hot-pluggable USB mouse port on front panel (also functions as a USB peripheral port)
 - KVM port extendable via one-level cascade (up to 8 additional CS1768 8-port KVM switches)
 - Computer selection via the front panel pushbuttons, hotkeys, and multilingual on-screen display (OSD)
 - Broadcast mode – allows users to send commands from the console to all computers to perform operations simultaneously
 - Firmware upgradable
 - Supports YUV video format for greater compatibility
 - DVI monitor support – fully compliant with DVI specifications
 - Video DynaSync™ – exclusive ATEN technology eliminates boot-up display problems and optimizes responsiveness when switching between ports
- Note:** Video DynaSync™ only works with digital video sources
- HDCP-compatible for hassle-free content-protected media playback
 - Superior video quality – 1920 x 1080 @ 60 Hz; DDC2B
 - Audio support for connecting speakers
 - Auto Scan Mode for monitoring all computers
 - Multiplatform support – Windows, Linux, Mac, and Sun
 - Console lock – enables the console drawer to remain securely locked away in position when not in use



Specifications

CL6708MW	
Computer Connections	
Direct	8
Maximum	64 (via Cascade)
Port Selection	OSD, Hotkey, Pushbutton
Connectors	
KVM Ports	8 x DVI-I Female (White) 8 x USB Type-B Female 8 x 3.5 mm Audio Jack Female (Green)
Firmware Upgrade	1 x RJ-11 Female
Power	1 x IEC 60320/C14
External Console Ports	1 x DVI-I Female (White) 2 x USB Type-A Female 1 x 3.5 mm Audio Jack Female (Green)
External Mouse / Peripheral	1 x USB Type-A Female (Front)
Switches	
Port Selection	8 x Pushbutton
Reset	1 x Semi-recessed Pushbutton
Firmware Upgrade	1 x Slide Switch
Power	1 x Rocker Switch
LCD Control	4 x Pushbutton
LCD Power	1 x LED Pushbutton
LEDs	
Online	8 (Orange)
Selected	8 (Green)
Power	1 x KVM Power (Dark Green) 1 x LCD Power (Orange)
Lock	1 x Num Lock (Green) 1 x Caps Lock (Green) 1 x Scroll Lock (Green)
LED Illumination Light	1 x LED Illumination Light
Panel Spec	
LCD Module	17.3" TFT-LCD
Resolution	1920 x 1080 @ 60 Hz
Response time	16 ms
Viewing Angle	170° (H), 170° (V)
Pixel Pitch	0.1989 mm x 0.1989 mm
Support Color	16.77M colors
Contrast Ratio	800:1
Luminance	250 cd/m ²
Video	
Input Video Resolution	up to 1920 x 1200 @ 60 Hz (all resolution @ 60 Hz only) ; 1920 x 1080 @ 60 Hz, DDC2B
Scan Interval	1 – 255 seconds
Emulation	
Keyboard / Mouse	USB
Maximum Input Power Rating	100 – 240 V AC, 50 / 60 Hz, 1 A
Power Consumption	AC110V:23.3W AC220V:23.3W
Environmental	
Operating Temperature	0 – 40 °C
Storage Temperature	-20 – 60 °C
Humidity	0 – 80 % RH, Non-condensing
Physical Properties	
Housing	Metal + Plastic
Rail Type	Single Rail
Weight	12.70 kg
Dimensions (L x W x H)	48.00 x 68.92 x 4.40 cm

Product information is subject to change without prior notice.

ATEN International Co., Ltd.

3F., No.125, Sec. 2, Datung Rd., Sijhih District., New Taipei City 221, Taiwan
 Phone: 886-2-8692-6789 Fax: 886-2-8692-6767
 www.aten.com E-mail: marketing@aten.com

Released: 01/2024 V2.0

© Copyright 2024 ATEN® International Co. Ltd.
 ATEN and the ATEN logo are registered trademarks of ATEN International Co., Ltd.
 All rights reserved. All other trademarks are the property of their respective owners.

